

SANIX PRO 22

- OWNER MANUAL GB
- ISTRUZIONI PER L'USO IT
- MANUAL DE USUARIO ES
- BETRIEBSANLEITUNG DE
- MODE D'EMPLOI FR

BATTERY CART SPRAYER

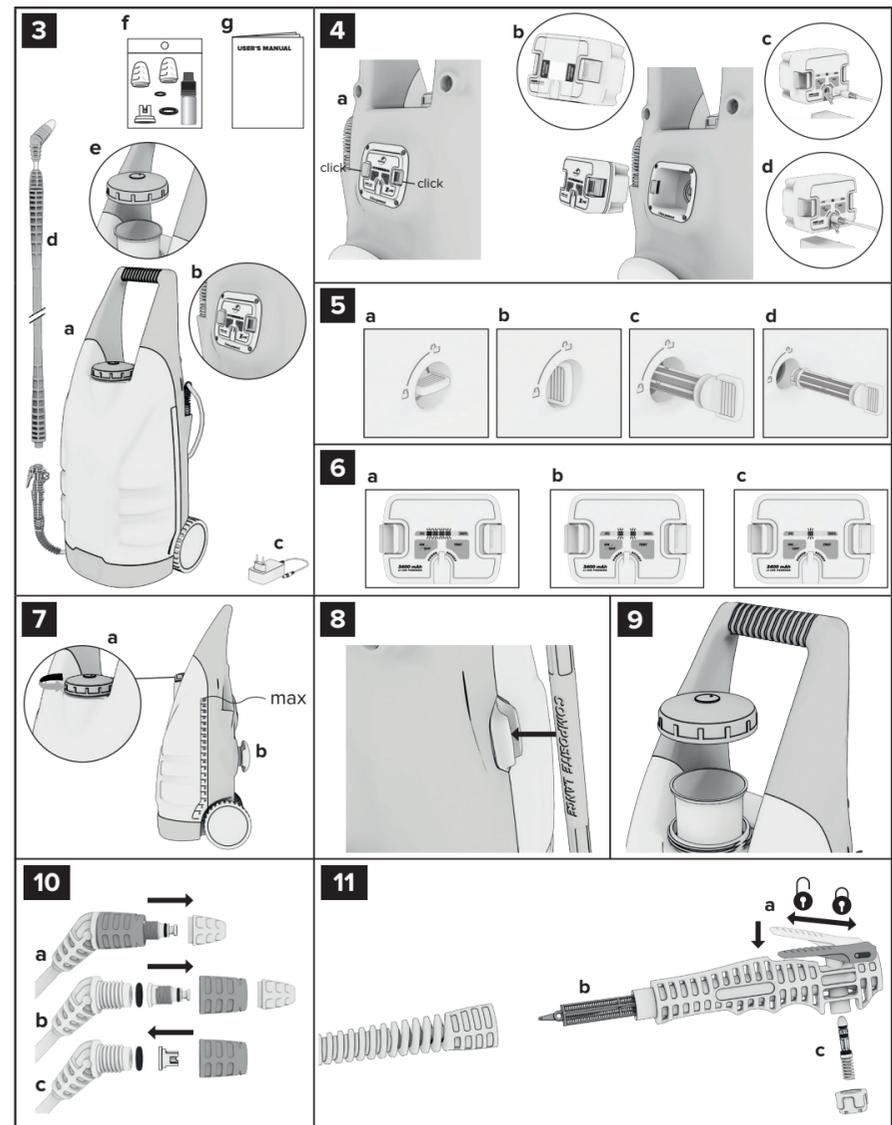
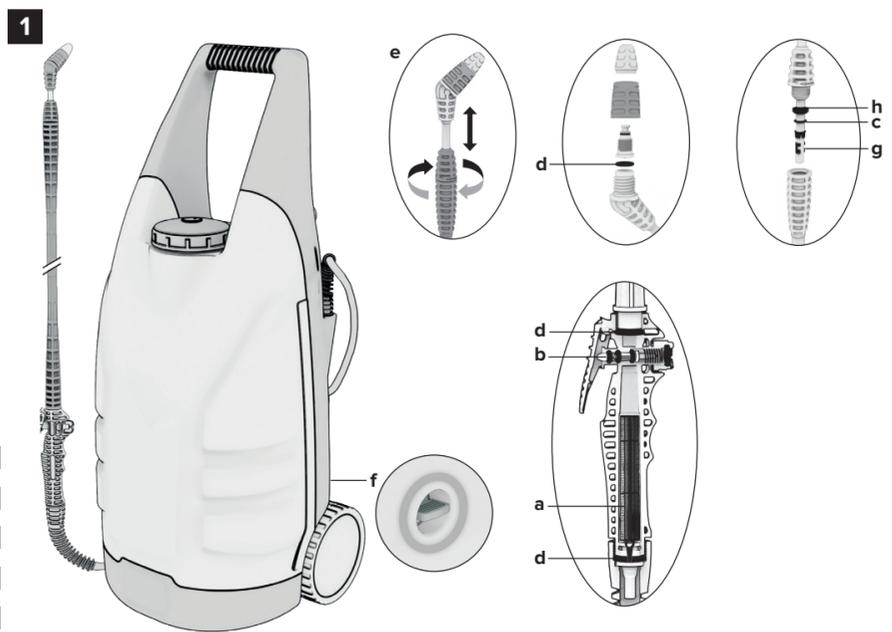
IRRORATRICE A CARRELLO CON SPRUZZATORE A BATTERIA

PULVERIZADOR DE CARRO DE BATERÍA

AKKU-SPRÜHGERÄT

PULVÉRISATEUR À BATTERIE

<small>STAMP OF THE RETAILER AND THE DATE SELLO DEL VENDEDOR Y FECHA CACHET DU CONCESSIONNAIRE ET DATE</small>	<small>DESCRIPTION OF THE FAULT DESCRIZIONE DEL GUASTO DESCRIPCIÓN DEL FALLO BESCHREIBUNG DES DEFEKTS DESCRIPTION DU DÉFAUT</small>
<small>GUARANTEE CARD TARJETA DE GARANTÍA CARTE DE GARANTIE</small>	<small>DATE OF THE REPAIR DATA DELLA RIPARAZIONE FECHA DE LA REPARACIÓN DATUM DER REPARATUR DATE DE LA REPARATION</small>



GB OWNER MANUAL

SANIX PRO 22 Battery cart sprayer

1. APPLICATION AND USE

Battery cart sprayer is designed to carry out the protection treatment with water solutions of fertilizers, insecticides, fungicides, herbicides. It is also dedicated to the application of ecological preparations based on paraffin oil and plant preparations. It is recommended to use one sprayer for the selected group of agents.

CAUTION !!! Do not use a chemically active agents, including acids and bases, disinfectants, impregnation, containing solvents, cleaners and petroleum resources. Failure to follow this instruction may result in the loss of the warranty, damage to the sprayer or permanent harm to health.

2. EQUIPMENT OF THE SPRAYER

The set contained in the package is presented in Fig. 3 a. complete sprayer with the wheels, hose length 250 cm with springs and feeding valve integrated with handle, b. Battery pack 3,4Ah with control package, c. Charger 12,6V; 3A for charging the package, d. Telescopic lance with adjustable nozzle MR 1,5 mm, e. Funnel with strainer, f. Spare nozzles: angular nozzle MR1.0, MR2.0, fan nozzle MF3.0, additional gaskets Fig. 1c, Fig. 1d and silicone grease g. User's manual with a warranty card, EU DECLARATION OF CONFORMITY. The manufacturer reserves the right to change the equipment of the sprayer.

3. PREPARATION AND OPERATION OF THE SPRAYER

- Before you start working with the sprayer, read these operating instructions.
- Before starting work, prepare sprayer and check the tightness and correct operation of the sprayer using clean water. For this purpose, fix the lance with the feeding valve integrated with the handle Fig. 1, remove the battery pack with the control panel Fig. 4b, remove the safety foil Fig. 4b and insert the package so that the click sound is heard Fig. 4a, then check the battery charge level by pressing the TEST button Fig. 6a. The LED indicators on the panel will light up, showing the level of charging. Before pouring water, make sure that the pump filter Fig. 1f is properly inserted and locked Fig. 5a. Unscrew the tank nut Fig. 7a, pour clean water and screw the nut. Press the button ON/OFF on the control panel Fig. 6a, the diodes will start to flash Fig. 6a, b, c, press the feeding valve button Fig. 11a from the nozzle, air should first come out, then water.
- In order to start working with the sprayer: empty the tank from water, then pour in solution prepared in advance according to the producer recommendation, don't exceed the level indicated on the scale Fig. 7, tighten the tank nut Fig. 7a press the button ON/OFF on the control panel Fig. 6a, unscrew the hose from the reel to the desired length Fig. 7b, then fold out the lance Fig. 1e, and then direct the lance to the place where spray will be carried out and press the feeding valve button Fig. 11a, start spraying. Continuous sprayer operation is possible by pressing the feeding valve button and moving it forward Fig. 11a. After finishing work, release the feeding valve lock by moving the button backwards. Fig. 11a. and switch the control package off with the ON/OFF button Fig. 6a.
- Nozzle replacement:
 - replacement of a cone 1.5 mm (yellow) nozzle with 1.0 mm (green) nozzle. To do this, unscrew the yellow nozzle cap and screw the green nozzle cap Fig. 10a.
 - replacement of the cone nozzle with a flat-stream nozzle. To do this, unscrew the nozzle cap Fig. 10a, then unscrew the black nut, take out the core and O-ring Fig. 10b, insert the flat-stream nozzle into the black nut Fig. 10c, then insert the O-ring and tighten.
- The battery pack 3.4Ah with the control panel is an exchangeable element available in the sales offer.

CAUTION! Removing the filter Fig. 1f will cause liquid flowing out of the tank.

4. CHARGING THE BATTERY

In order to charge the battery, stick the included charger into the charging socket in the control package Fig. 4c, and then connect it to the power supply 230V 50 Hz. It is possible to charge the battery when the package is in the sprayer, as well as independently outside the sprayer. After connecting the charger, the diodes will start to flash, the charging cycle is in progress. Fig. 6. The battery is fully charged when all the LED indicators are on. If the battery has a low level of charging and only the red indicator light is on, it means that the sprayer battery needs to be charged before starting work. Charging should be stopped only when the battery is fully charged. The sprayer should be stored with a charged battery, what should be periodically checked by pressing the TEST button Fig. 6a. Prolonged storage of the sprayer with a discharged battery may damage the battery.

WARNING! The control package can be charged only with the included charger or 12.6V, 3A charger. If you try to use the charger with other parameters, the panel may be permanently damaged or the battery will not get charged.

The sprayer, once used for plant protection products, cannot be used for other purposes!!!

5. WORK SAFETY REGULATIONS

- Children, pregnant women, people taking medicines or other drugs restricting the concentration powers or drinking alcohol are forbidden to operate the sprayer.
- Before first spraying check the tightness and correct operation of the sprayer using clean water.
- When working with chemicals (also during liquid preparation and destroying the packages) it is necessary to wear protective clothing (rubber boots, gloves, a coat, a cap and a mask).
- It's forbidden to work with chemicals on an empty stomach and eat or drink during working. It's forbidden to drink alcohol one day before and one day after working with chemicals.
- It's forbidden to pour the liquid remains to the open water reservoirs or biological sewage treatment plants. These notes apply also to the water after cleansing the container and other parts of the sprayer.
- Expendable sprayer should be handed over for utilization.
- 6a. The used battery pack with the control panel should be given to a collection point for used electrical and electronic equipment and batteries.
- People working using the sprayer should strictly comply to all the recommendations on the package of the spraying agents. In case of poisoning the doctor must be contacted.
- It's forbidden to work using defective sprayer or with any leakage. Do not expose the sprayer to impact.
- All the operations should be done after decompression of the sprayer.
- Thoroughly cleanse the sprayer after each using and before servicing.
- It's forbidden to use the sprayer for other purposes than stipulated in the owner manual.
- It's forbidden to store the sprayer filled with a liquid and under pressure.
- It's forbidden to spray with liquids warmer than +40°C, and with easy inflammable chemicals or substances which can cause an explosion e.g. petrol, solvents.
- Changes in the sprayer or using it not according to its allocation can result in poisoning people or animals, polluting the environment, damaging the sprayer or serious accidents.
- After finishing work, you should change your clothes (the protective clothes must be cleaned), wash your hands, face, mouth and throat, and clean your nose.
- After finishing work, rinse the sprayer using clean water.
- The user is fully responsible for the damages caused by not complying with these recommendations.
- Always check the battery level before starting work.
- It's forbidden to point the lance of the sprayer and spray the liquid in the direction of the face.
- The sprayer while working and storing should be secured from any unauthorized people, especially children.
- When using other agents, make sure that it can be used in the sprayer, and that they are not harmful to the sprayer, people and the environment.
- CAUTION! The sprayer's control package is splash-proof and has a higher moisture level, is not resistant to flooding and frequent contact with water.**

6. SERVICE AND WARRANTY REPAIRS

- The guarantee period is 24 months from the date of purchase. The warranty excludes: pump with engine, control package with battery and charger, for which the warranty period is 12 months. The tank is covered by a 60-month warranty.
- Reclamation should be lodged to the seller of the sprayer.
- CAUTION! Dirty and contaminated with chemicals sprayers, supplied as a complaint, or sprayers with any content will not be repaired. Thoroughly empty, rinse and clean them beforehand!**
- The claims will be accepted after showing the defected part or giving the full description of the fault.
- The guarantee repairs should be made using always the genuine parts.
- Number of repairs after which the seller cannot refuse to exchange the sprayer for a new one (in case there are still defects) is 3.
- Operations connected with exploitation of the sprayer and described in the manual are not treated as guarantee repairs.
- The producer will not accept the claim if there were changes in pressure regulation or the storing, operating, maintaining of the product were not according to the manual.
- Mechanical damages caused by the user cannot be the subject of reclamation. The damaged parts can be exchanged but the costs are charged.
- The warranty does not cover damage resulting from the use of an unsuitable charger.**

7. STORAGE AND MAINTENANCE OF THE SPRAYER

- Do not store the sprayer in sunlight or in temperatures below +4°C.
- After finishing work, thoroughly wash the sprayer using clean water and blow air through it. Perform maintenance periodically. After washing the sprayer and blowing the air through it, you should: unscrew the hose from the handle, remove the filter Fig. 11b and clean it under running water using a soft brush. Unscrew the nut from the feeding valve in the handle, take out the valve piston with a spring Fig. 11c, clean and lubricate it with silicone grease Fig. 2i, put it back and tighten the nut. Unscrew the nozzle nut Fig. 10a remove the nozzle and rinse it thoroughly with water, then lubricate with silicone grease O-ring Fig. 1d. Unlock and remove the pump filter Fig. 5a, b, c, d and clean it under running water using a soft brush, then insert and lock Fig. 5a (a small amount of liquid may flow out after removing the filter). Unscrew the tank nut Fig. 7a, remove the funnel with strainer Fig. 9 and rinse with water, then put it back in the tank and screw the nut. Fig. 1 shows the diagram of the elements to be maintained or which are wasted and must be replaced by purchasing a repair kit A044.101 (Z08x) Fig. 2.
- Maintenance and repairs should only be carried out with silicone grease. Using other lubricants will damage the sprayer. **CAUTION! All repair, replacement or maintenance operations concerning the pump unit, battery and control package may only be carried out at authorized services. If you attempt to repair, replace or maintain above mentioned items, you lose your warranty.**

8. GENERAL REMARKS

In the lance handle integrated with the feeding valve is used filter R40 which has to prevent clogging of the nozzles.

10. TROUBLESHOOTING

Symptoms	Cause	Remedy
The sprayer does not work.	The safety foil label covers the battery. Start button not pressed. Incorrectly placed the control package Fig 4a .	Remove the foil label from the bottom of the cartridge Fig. 4b . Press the button ON/OFF Fig. 6 . Place the cartridge correctly Fig. 4a .
	Discharged battery (description fig. 4 charging of the battery).	Connect the control package for charging Fig. 4d .
Despite connecting the charging package, the LEDs on the panel do not light up.	Damaged charger.	Purchase a new charger.
	Damaged control package.	Contact the DISTRIBUTOR.
The air comes out of the nozzle or spraying is interrupted despite the pump running.	In the pump there is mixed liquid with air (too little liquid in the tank or tilted sprayer).	Fill in the liquid into the tank.
Leakage from the handle integrated with the feeding valve Fig. 11 .	Unscrewed hose nut Fig. 11 , unscrewed lance or damaged O-ring. Fig. 1d .	Tighten the hose nut or lance, insert or replace the O-ring. Fig. 2d .
	Cracked handle caused by frozen water.	Replace the complete handle integrated with the feeding valve.
Leakage from the feeding valve when the trigger button is pressed Fig. 11a .	Damaged O-rings on the piston in the feeding valve Fig. 11c .	Replace the complete piston. Fig. 2b and apply silicone grease Fig. 2i .
Leaks in the lance connections.	Lost O-ring Fig. 1d . Nozzle nut unscrewed Fig. 10a .	Install O-ring Fig. 2d or tighten the nut to the nozzle Fig. 10a .
	Unsealed or incomplete lance telescope system Fig. 1c, g, h .	Tighten or repair the lance telescope system Fig. 2c, g, h, i .
The liquid constantly flows from the nozzle.	Dosing valve button in lock position Fig. 11a .	Unlock the button Fig. 11a .
	Damaged or faded piston O-rings in the feeding valve Rys. 11c .	Lubricate with silicone grease Fig. 2i O-rings of the feeding valve piston Fig. 11c , if necessary, replace the piston with a new one Fig. 2b and lubricate with silicone grease Fig. 2i .
Poor liquid spray or lack of it despite pump operation.	Clogged filter in the handle Fig. 11b or pump filter Fig. 1f .	Unscrew the hose, remove the filter Fig. 11b from the handle, clean it or replace it with a new one. Fig. 2a . Clean the pump filter Fig. 1f or replace it with a new one Fig. 2f .
	Dirty nozzle cap or core in the lance end tip Fig. 10a .	Unscrew the nozzle cap Fig. 10a then unscrew the nozzle nut Fig. 10b , dismantle and clean the nozzle cap and core under running water. CAUTION DO NOT USE SHARP TOOLS! not to damage the nozzle, lubricate the O-ring on the core Fig. 1d and assemble again.
	Airlocked pump	Start the sprayer, unscrew the lance from the handle integrated with the feeding valve, point the handle to the tank filler and press the feeding valve button. After a while, a change in pump operation will be heard and the liquid stream will be stronger.
No pressure.	Dirty pump.	Contact authorized service.
Liquid leaks from the sprayer.	Pump filter missing or incorrectly installed Fig. 1f .	Insert the filter Fig. 5a correctly.

For other symptoms that prevent proper operation of the device - please contact the DISTRIBUTOR

Distributed by

LAVORWASH S.p.A.

J.F.Kennedy, 12 - 46020 Pegognaga (MN) Italy

Tel. +39 0376 55431 - Fax +39 0376 558927

E-mail: info@lavor.com - WebSite: www.lavor.com

Manufacturer
MAROLEX Sp. z o.o.
05-092 Dziekanów Leśny, ul. Reymonta 2

IT ISTRUZIONI PER L'USO

SANIX PRO 22 irroratrice a carrello con spruzzatore a batteria.

1. APPLICAZIONE E UTILIZZO

L'irroratrice è progettata per eseguire trattamenti protettivi e di cura con soluzioni acquose di insetticidi, fungicidi, erbicidi e fertilizzanti. È dedicata anche all'applicazione di prodotti fitosanitari ecologici a base di olio di paraffina e preparati vegetali. Si consiglia di utilizzare una irroratrice diversa per ogni gruppo di prodotti selezionato.

ATTENZIONE!!! Non utilizzarla con agenti chimicamente attivi, inclusi acidi e basi, disinfettanti, agenti impregnanti, liquidi con solventi, detergenti aggressivi e derivati di petrolio.

La mancata osservanza di queste istruzioni può comportare la perdita della garanzia, danni all'irroratrice o danni permanenti alla salute

2. DOTAZIONE DELL'IRROTRATRICE

La dotazione contenuta nella confezione è presentata in **Fig. 3. a**. Irroratrice completa con ruote, tubo lunghezza 250 cm e lancia con valvola dosatrice integrata nell'impugnatura, **b**. Pacco batterie da 3,4 Ah con unità di controllo, **c**. Caricabatterie 12,6V - 3A per la ricarica del pacco batterie, **d**. Lancia telescopica con ugello regolabile MR 1,5 mm, **e**. Imbuto con filtro, **f**. kit ugelli di scorta: ugello angolato MR1,0 , MR2.0, ugello a ventaglio MF3,0, guarnizioni aggiuntive **Fig. 1c** e **Fig.1d**. nonché lubrificante al silicone **g**. Manuale dell'utente con certificato di garanzia e DICHIARAZIONE CE DI CONFORMITÀ. Il produttore si riserva il diritto di cambiare l'equipaggiamento dell'irroratrice.

3. PREPARAZIONE E FUNZIONAMENTO DELL'IRROTRATRICE

1. Prima di iniziare a lavorare con l'irroratrice, leggere queste istruzioni per l'uso.
2. Prima di cominciare i lavori, preparare l'irroratrice controllandone la tenuta ed il corretto funzionamento con acqua pulita. A tale scopo, fissare la lancia con valvola di alimentazione integrata nell'impugnatura **Fig. 1.**, rimuovere il pacco batteria con unità di controllo **Fig. 4b**, rimuovere la pellicola di sicurezza **Fig. 4b** e reinserire il pacco batterie, facendo in modo che si senta il clic di bloccaggio **Fig. 4a**, quindi controllare il livello di carica della batteria premendo il pulsante TEST **Fig. 6a**. Gli indicatori LED sull'unità si accenderanno, mostrando il livello di carica. Prima di versare acqua, assicurarsi che il filtro della pompa **Fig. 1f** sia correttamente inserito ed in posizione bloccato **Fig. 5a**. Svitare il tappo del serbatoio **Fig. 7**, versare acqua pulita e riavvitare il tappo. Premere il pulsante ON / OFF sull'unità di controllo **Fig. 6a**, i diodi inizieranno a lampeggiare **Fig. 6a, 6b, 6c**; premere il pulsante della valvola di dosaggio **Fig. 11a**. Dall'ugello dovrebbe fuoriuscire prima aria, poi acqua.
3. Per iniziare a lavorare con l'irroratrice è necessario rimuovere l'acqua dal serbatoio, quindi versare la soluzione preparata in anticipo secondo le raccomandazioni del produttore della sostanza, non superando il livello indicato sulla scala **Fig. 7**, avvitare il tappo del serbatoio Fig. 7a. Premere il pulsante ON / OFF sull'unità di controllo **Fig. 6a**. Srotolare il tubo della lunghezza desiderata **Fig. 7b**, quindi orientare la lancia nel punto in cui verrà effettuato lo spruzzo, premere il pulsante della valvola di dosaggio **Fig. 11a** ed iniziare a spruzzare. Il funzionamento continuo dell'irroratrice è possibile premendo il pulsante della valvola di dosaggio e spostandolo in avanti **Fig. 11a**. Al termine del lavoro, rilasciare il blocco della valvola di dosaggio spostando il pulsante all'indietro **Fig. 11a**. Spegnerre l'irroratrice premendo il pulsante ON / OFF sull'unità di controllo **Fig. 6a**.
4. Sostituzione degli ugelli:
- sostituzione di un ugello 1,5 mm (bianco) con l'ugello 1,0 mm (verde). Per farlo svitare il cappuccio conico bianco dell'ugello ed avvitare il verde **Fig. 10a**.
– sostituzione dell'ugello conico con un ugello a flusso piatto. Per fare ciò, svitare l'ugello conico **Fig. 10a**, quindi svitare la ghiera nera, estrarre l'anima e l'O-Ring **Fig. 10b**, inserire l'ugello a flusso piatto nella ghiera nera **Fig. 10c**, quindi inserire il O-Ring e serrare.
5. Il pacco batterie da 3,4 Ah con unità di controllo è un elemento intercambiabile disponibile a ricambio.

ATTENZIONE! La rimozione del filtro Fig. 1f provocherà la fuoriuscita di liquido dal serbatoio

4. RICARICA DELLA BATTERIA

Per caricare la batteria, inserire il cavo del caricabatterie (incluso) nella presa di ricarica dell'unità di controllo **Fig. 4c**. Collegare il caricabatteria ad una presa di rete con alimentazione a 230V 50 Hz.

L'unità di controllo può essere caricata in modo indipendente od anche quando è inserita all'interno dell'irroratrice. Dopo aver collegato il caricabatterie, i diodi inizieranno a lampeggiare, questa fase segnala che il ciclo di ricarica è in corso **Fig. 6**. La batteria è completamente carica quando tutti gli indicatori LED sono accesi. Se la batteria ha un basso livello di carica e solo la spia rossa è accesa, significa che deve essere caricata prima di iniziare il lavoro. La ricarica deve essere interrotta solo quando la batteria è completamente carica.

L'irroratrice deve essere conservata con la batteria carica, questo stato deve essere controllato periodicamente premendo il pulsante TEST **Fig. 6a**. La conservazione prolungata con batteria scarica può danneggiarla.

ATTENZIONE! L'unità di controllo può essere caricata solo con il caricabatterie incluso o con uno equivalente da 12,6V - 3A. Se si tenta di utilizzare il caricabatterie con altri parametri, l'unità potrebbe danneggiarsi in modo permanente oppure la batteria non verrà caricata.

L'irroratrice una volta usata per agenti chimici non deve essere usata per altri scopi !!

5. ISTRUZIONI DI SICUREZZA PER IL FUNZIONAMENTO

1. È vietato l'uso dell'irroratrice ai bambini, alle donne in gravidanza, alle persone che assumono medicinali o altri farmaci che limitano i poteri di concentrazione o bevono alcolici.
2. Al primo utilizzo, controllare la tenuta ed il corretto funzionamento dell'irroratrice con acqua pulita.
3. Quando si lavora con prodotti chimici (anche durante la preparazione di liquidi ed il disimballaggio) è necessario indossare indumenti protettivi (stivali di gomma, guanti, tuta, cappello ed una maschera).
4. È vietato lavorare con sostanze chimiche a stomaco vuoto e mangiare, bere o fumare durante il lavoro.
È vietato bere alcolici il giorno prima ed il giorno dopo aver lavorato con sostanze chimiche.
5. È vietato versare i resti liquidi nei serbatoi d'acqua aperta o negli impianti biologici di trattamento delle acque reflue. Queste note si applicano anche all'acqua usata per pulire il serbatoio ed altre parti dell'irroratrice.
6. In caso di rottamazione, l'irroratrice deve essere consegnata ad una società locale che si occupa dello smaltimento dei rifiuti chimici.
6a. Il pacco batterie usato con l'unità di controllo deve essere consegnato ad un punto di raccolta per le apparecchiature e le batterie elettriche/elettroniche usate.
7. Le persone che lavorano con l'irroratrice devono attenersi rigorosamente a tutte le raccomandazioni riportate sulle confezioni dei prodotti spruzzati. In caso di avvelenamento deve essere contattato un medico.
8. È vietato lavorare con un'irroratrice difettosa o che abbia qualsiasi tipo di perdita. Non esporre l'irroratrice ad urti.
9. Tutte le operazioni di manutenzione devono essere eseguite dopo aver scaricato la pressione dall'irroratrice.
10. Pulire a fondo l'irroratrice dopo ogni utilizzo e prima della manutenzione.
11. L'irroratrice non deve essere utilizzata per scopi diversi da quelli descritti nelle istruzioni per l'uso.
12. È vietato conservare l'irroratrice piena di liquido e sotto pressione.
13. È vietato spruzzare liquidi più caldi di + 40° C o facilmente infiammabili, sostanze chimiche o sostanze che possono causare un'esplosione, ad es. benzina, solventi, ecc.
14. Sono vietate modifiche non autorizzate ed uso improprio dell'irroratrice. Potrebbero causare avvelenamenti di esseri umani od animali, inquinamento ambientale e danni alla macchina, nonché incidenti pericolosi.
15. Dopo aver terminato il lavoro, è necessario cambiarsi i vestiti (gli indumenti protettivi devono puliti), lavarsi le mani, il viso, la bocca e la gola e pulire il naso.
16. Al termine dei lavori, risciacquare l'irroratrice con acqua pulita.
17. L'utente è responsabile per i danni causati dal mancato rispetto di queste raccomandazioni.
18. Controllare sempre il livello della batteria prima di iniziare i lavori.
19. È vietato puntare la lancia dell'irroratrice e spruzzare il liquido in direzione del viso.
20. Le persone non autorizzate e soprattutto i bambini non devono avvicinarsi all'irroratrice durante il lavoro e deve essere impedito loro l'accesso alla macchina durante lo stoccaggio.
21. Quando si utilizzano altri prodotti, assicurarsi che siano compatibili con l'irroratrice e che non siano dannosi per le persone, l'ambiente e l'irroratrice stessa.

22. ATTENZIONE! L'unità di controllo dell'irroratrice è a prova di schizzi ed è resistente all'umidità, non è però impermeabile ed ermetica al frequente contatto con l'acqua.

6. RIPARAZIONI DI ASSISTENZA E GARANZIA

1. Il periodo di garanzia è di 24 mesi dalla data di acquisto. La garanzia esclude: pompa con motore, unità di controllo con batteria e caricabatterie, per i quali il periodo di garanzia è di 12 mesi. Il serbatoio è coperto da una garanzia di 60 mesi.
2. La riconsegna della macchina in garanzia deve essere presentata al venditore dell'irroratrice.
3. ATTENZIONE! Le irroratrici sporche e contaminate da sostanze chimiche, restituite in garanzia, non verranno riparate. Svuotarle accuratamente, risciacquare e pulirle in anticipo!
4. I reclami saranno accettati dopo aver mostrato la parte difettosa o dopo aver fornito la descrizione completa del guasto.
5. Le riparazioni in garanzia devono essere eseguite utilizzando sempre le parti di ricambio originali.
6. Il numero di riparazioni massimo dopo le quali la merce danneggiata deve essere sostituita con una nuova (nel caso in cui vi siano ancora difetti) è 3.
7. Le riparazioni in garanzia non includono guasti causati dall'uso al di fuori della normale attività menzionata in questo manuale.
8. Il produttore declina qualsiasi responsabilità in garanzia se sono state apportate modifiche alle impostazioni della pressione e se l'irroratrice è stata immagazzinata o utilizzata in modo improprio.
9. I danni meccanici causati dall'utente non sono soggetti a garanzia. Le parti danneggiate possono essere sostituite ma i costi sono addebitati all'utente.
10. La garanzia non copre i danni derivanti dall'uso di un caricabatterie non idoneo

7. STOCCAGGIO E MANUTENZIONE DELL'IRROTRATRICE

1. Non conservare l'irroratrice alla luce diretta del sole od a temperature inferiori a + 4 ° C.
2. Al termine dei lavori, lavare accuratamente l'irroratrice con acqua pulita e soffiare aria attraverso di essa. Eseguire periodicamente la manutenzione.
Dopo aver lavato e spurgato con aria il sistema, svitare il tubo dall'impugnatura; rimuovere il filtro **Fig. 11b** e pulirlo sotto l'acqua corrente usando una spazzola morbida. Svitare il tappo della valvola dosatrice, rimuovere il pistone della valvola con la molla **Fig. 11c**, Pulire e ingrassare con lubrificante al silicone **Fig. 2i** e reinserirlo nella valvola, quindi riavvitare il tappo. Svitare la ghiera dell'ugello **Fig. 10a**, rimuovere l'ugello e sciacquarlo abbondantemente con acqua, quindi lubrificare con grasso silconico l'O-Ring **Fig. 1d**. Sbloccare e rimuovere il filtro della pompa **Fig. 5a, 5b, 5c, 5d** e pulirlo sotto l'acqua corrente usando una spazzola morbida, quindi reinserilo e bloccarlo **Fig. 5a** (una piccola quantità di liquido potrebbe fuoriuscire dopo la rimozione del filtro). Svitare il tappo del serbatoio **Fig. 7a**; rimuovere l'imbuto con filtro **Fig. 9** e sciacquarlo con acqua corrente, reinserirlo nel serbatoio ed avvitare il tappo. La **Fig. 1** mostra gli elementi che possono essere sostituiti acquistando un kit di riparazione **Z08x** i cui componenti sono raffigurati in **Fig. 2**.
3. La manutenzione e le riparazioni devono essere eseguite utilizzando solo lubrificante al silicone. L'uso di altri lubrificanti potrebbe danneggiare l'irroratrice.
ATTENZIONE! Tutte le operazioni di riparazione, sostituzione o manutenzione del gruppo pompa, della batteria e dell'unità di controllo devono essere eseguite nei centri di assistenza autorizzati. Se si tenta di riparare, sostituire od effettuare la manutenzione degli articoli sopra elencati, si perde il diritto di garanzia.

8. OSSERVAZIONI GENERALI

Nell'impugnatura della lancia integrata con la valvola dosatrice viene utilizzato il filtro R40 che deve impedire l'intasamento degli ugelli

9. RISOLUZIONE DEI PROBLEMI

SINTOMI	CAUSE	RIMEDI
L'irroratrice non funziona.	La pellicola di sicurezza copre i contatti della batteria. Pulsante di avvio non premuto. Posizionamento errato dell'unità di controllo Fig 4a.	Remove the foil label from the bottom of the cartridge Fig. 4b . Press the button ON/OFF Fig. 6 . Place the cartridge correctly Fig. 4a .
	Batteria scarica (descrizione in fig. 4; ricarica della batteria).	Connect the control package for charging Fig. 4d .
Nonostante il collegamento del pacchetto di ricarica, i LED sul pannello non si accendono.	Caricabatterie danneggiato	Acquistare un nuovo caricabatterie
	Unità di controllo danneggiata.	Contattare il Distributore
Fuoriesce aria dall'ugello od il getto viene interrotto nonostante la pompa funzioni.	Nella pompa c'è liquido miscelato con aria (troppo poco liquido nel serbatoio o spruzzatore inclinato).	Riempire di liquido il serbatoio.
Perdita di liquido dalla valvola dosatrice integrata nell'impugnatura Fig. 11 .	Ghiera del tubo flessibile svitato Fig. 11 , Lancia svitata oppure O-Ring danneggiato Fig. 1d .	Serrare la Ghiera del tubo flessibile, la Lancia oppure sostituire l'O-Ring Fig. 2d .
	Impugnatura danneggiata a causa dell'acqua ghiacciata.	Sostituire l'impugnatura completa con valvola dosatrice integrata.
Perdita di liquido dalla valvola dosatrice integrata nell'impugnatura quando si preme il pulsante di attivazione Fig. 11a .	O-ring danneggiati sul pistone nella valvola dosatrice Fig. 11c .	Sostituire il pistone completo Fig. 2b e applicare grasso al silicone Fig. 2i .
Perdite nelle connessioni della Lancia.	O-Ring perso Fig. 1d oppure Ugello conico svitato Fig. 10a .	Installare l'O-Ring Fig. 2d o serrare l'ugello conico Fig. 10a .
	Sistema telescopico della Lancia non sigillato o incompleto Fig. 1c, 1g, 1h .	Stringere o riparare il sistema del telescopio della Lancia Fig. 2c, 2g, 2h, 2i .
Il liquido esce in continuo dall'ugello	Pulsante della valvola dosatrice in fase di blocco Fig. 11a	Sbloccare il pulsante Fig. 11a.
	O-ring danneggiati od usurati sul pistone della valvola di dosaggio Fig. 11c .	Sostituire gli O-Ring danneggiati od usurati Fig. 11c , ingrassare con lubrificante al silicone Fig. 2i .
Getto del liquido debole o assente, nonostante la pompa funzioni.	Filtro dell'impugnatura Fig. 11b oppure filtro della pompa Fig. 1f intasati.	Se necessario sostituire il pistone con uno nuovo.
	Ugello sporco o intasato Fig. 10a	Svitare il tubo flessibile, rimuovere il filtro Fig. 11b dall'impugnatura, pulirlo o sostituirlo con uno nuovo Fig. 2a . Pulire il filtro della pompa Fig. 1f o sostituirlo con uno nuovo Fig. 2f .
Mancanza di pressione	Sacche d'aria nella pompa.	Svitare il cappuccio conico dell'ugello Fig. 10a , quindi svitare la ghiera Fig. 10b , smontare l'inserto e l'ugello e risciaquarli sotto acqua corrente.
	Pompa sporca	ATTENZIONE, NON UTILIZZARE STRUMENTI AFFILATI! Per evitare di danneggiare l'ugello. Lubrificare l'O-Ring sull'inserto Fig. 1d e rimontare il tutto.
Perdita di liquido dall'irroratrice.	Filtro della pompa mancante o installato in modo errato Fig. 1f.	Avviare l'irroratrice, svitare la Lancia dall'impugnatura con valvola dosatrice integrata, puntarla all'ingresso bocchettone di riempimento del serbatoio e premere il pulsante di dosaggio. Poco dopo, si sentirà la pompa funzionare in modo diverso ed il getto del fluido aumenterà di intensità.
		Contattare il Servizio Assistenza
		Inserire correttamente il filtro Fig. 5a.

ES	MANUAL DE USUARIO
-----------	--------------------------

SANIX PRO 22 Pulverizador De Batería

1. APLICACIÓN Y USO

Está diseñado para llevar a cabo el tratamiento de protección con soluciones de agua con insecticidas, fungicidas, herbicidas y fertilizantes. También se aplica en preparaciones ecológicas basadas en aceite y soluciones vegetales. Se recomienda usar un pulverizador para un producto químico.

PRECAUCIÓN!!! No utilice agentes químicamente activos, incluidos ácidos y bases, desinfectantes, impregnación, que contengan solventes, limpiadores o recursos de petróleo. El incumplimiento de estas instrucciones puede causar daños al pulverizador o daños permanentes en la salud.

2. EQUIPO PULVERIZADOR

El contenido del paquete se presenta en la Fig. 3. a. Contenedor con correa, manguera con muelles y válvula de dosificación integrada con asa, b. Pack de baterías 3,4 Ah con kit de control, c. Cargador 12,6V; 3A para cargar el kit, d. Lanza telescópica con boquilla ajustable MR 1,5 mm, e. Embudo con filtro, f. Boquillas de repuesto: boquilla redonda MR 1.0, MR 2.0, boquilla de chorro plano MF 3.0 y juntas adicionales: Fig. 1c., Fig. 1d. y grasa de silicona, g. Manual del usuario con una tarjeta de garantía, DECLARACIÓN DE CONFORMIDAD DE LA UE El fabricante se reserva el derecho de cambiar el equipo pulverizador.

3. PREPARACIÓN Y FUNCIONAMIENTO DEL PULVERIZADOR

1. Antes de comenzar a trabajar con el pulverizador, lea estas instrucciones de funcionamiento.
2. Antes de comenzar a trabajar, prepare el pulverizador y compruebe el depósito y el correcto funcionamiento del pulverizador con agua limpia. Para este propósito, fije la lanza con la válvula de dosificación integrada con el mango Fig. 1., retire la batería con el panel de control Fig. 4b., Retire la lámina de seguridad Fig. 4b. e inserte el kit para que se escuche el sonido de clic Fig. 4a., luego verifique el nivel de carga de la batería presionando el botón TEST Fig. 6a. Los indicadores LED en el panel se iluminarán, mostrando el nivel de carga. Antes de verter agua, asegúrese de que el filtro de la bomba Fig. 1f. esté correctamente insertado y bloqueado Fig. 5a. Desenrosque la tuerca del depósito Fig. 7., vierta agua limpia y atornille la tuerca. Presione el botón ON/OFF en el panel de control Fig. 6a., Los indicadores comenzarán a parpadear Fig. 6a, b, c., Presione el botón de la válvula de dosificación Fig. 11a. de la boquilla, primero debe salir aire, luego agua.
3. Para comenzar a trabajar con el pulverizador: vacíe el depósito de agua, luego vierta la solución preparada de antemano de acuerdo con las recomendaciones del fabricante, no exceda el nivel indicado en la escala Fig. 7., apriete la tuerca del depósito Fig. 7. Presione el botón ON/OFF en el panel de control Fig. 6a., Extienda la lanza telescópica y luego dirija la lanza al lugar donde se realizará la pulverización y presione el botón de la válvula de dosificación Fig. 11a., Comience a pulverizar.

La operación continua del pulverizador es posible presionando el botón de la válvula de dosificación y moviéndolo hacia adelante Fig. 11a. Cuando termine el trabajo, suelte el bloqueo de la válvula de dosificación moviendo el botón hacia atrás. Fig. 11a. y apague el panel de control con el botón ON/OFF Fig. 6a.

4. Reemplazo de boquilla:

- reemplazo de una boquilla de cono de 1.5 mm (amarillo) con una boquilla de 1.0 mm (verde). Para hacer esto, desenrosque la tapa amarilla de la boquilla y atornille la tapa verde de la boquilla Fig. 10a.

- reemplazo de la boquilla de cono con una boquilla de chorro plano. Para hacer esto, desenrosque la tapa de la boquilla Fig. 10a., Luego desenrosque la tuerca negra, saque la obstrucción y la junta tórica Fig. 10b., Inserte la boquilla de chorro plano en la tuerca negra Fig. 10c., Luego inserte el Junta tórica y apretar.

El kit de baterías 3.4Ah con el panel de control es un elemento intercambiable disponible y a la venta.

¡PRECAUCIÓN! Desmontando el filtro Fig. 1f. saldrá líquido del depósito.

4. CARGANDO LA BATERÍA

Para cargar la batería, inserte el cargador incluido en la toma de carga del panel de control Fig. 4c. Y luego conéctelo a la fuente de alimentación 230V 50 Hz. Es posible cargar la batería cuando el panel está en el pulverizador, así como de forma independiente fuera del él. Después de conectar el cargador, los indicadores comenzarán a parpadear, el ciclo de carga está en progreso. Fig. 6. La batería está completamente cargada cuando todos los indicadores LED están encendidos. Si la batería tiene un nivel bajo de carga y solo está encendida la luz roja, significa que la batería del pulverizador debe cargarse antes de comenzar a trabajar. La carga debe detenerse cuando la batería está completamente cargada. El pulverizador debe guardarse con una batería cargada, lo que debe verificarse periódicamente presionando el botón TEST Fig. 6a. El almacenamiento prolongado del pulverizador con una batería descargada puede dañar la batería.

ADVERTENCIA! El panel de control solo se puede cargar con el cargador incluido o con un cargador de 12,6 V y 3 A. Si intenta utilizar el cargador con otros parámetros, el panel puede sufrir daños permanentes o la batería no se cargará.

Se recomienda utilizar el pulverizador de línea para un grupo de sustancias químicas. El pulverizador, una vez utilizado para productos químicos, no puede utilizarse para otros fines.

5. REGLAS DE SEGURIDAD LABORAL

1. Los niños, las mujeres embarazadas, las personas que toman medicamentos que limitan la capacidad de concentración o personas que beban alcohol, tienen prohibido operar con el pulverizador.
2. Antes de la primera pulverización, compruebe el depósito y el correcto funcionamiento del pulverizador con agua limpia.
3. Al trabajar con productos químicos (también durante la preparación de líquidos y la destrucción de los paquetes) es necesario usar ropa de protección (botas de goma, guantes, un abrigo, una gorra y una máscara).
4. Está prohibido trabajar con productos químicos con el estómago vacío y comer o beber durante el trabajo. Está prohibido beber alcohol un día antes y un día después de trabajar con productos químicos.
5. Está prohibido tirar los restos líquidos en los depósitos de agua abiertos o en las plantas de tratamiento biológico de aguas residuales. Estas notas se aplican también al agua después de limpiar el recipiente y otras partes del pulverizador.
6. El pulverizador desgastado debe entregarse para su reutilización.
6a. El kit de baterías usadas con el panel de control debe entregarse en un punto de recogida de equipos o baterías eléctricas usadas.
7. Las personas que trabajan con el pulverizador deben cumplir estrictamente con todas las recomendaciones del embalaje del pulverizador. En caso de intoxicación, se debe contactar con un médico.
8. Está prohibido trabajar con un pulverizador defectuoso o con cualquier tipo de fuga. No exponga el pulverizador a impactos.
9. Todas las operaciones deben realizarse después de la descompresión del pulverizador.
10. Limpie a fondo el pulverizador después de cada uso y antes de realizar el mantenimiento.
11. Está prohibido usar el pulverizador para otros fines a los estipulados en el manual de usuario.
12. Está prohibido guardar el pulverizador lleno de líquido y bajo presión.
13. Está prohibido pulverizar con líquidos calientes a más de 40 °C, y con productos químicos o sustancias fácilmente inflamables que pueden causar una explosión, como gasolina o solventes.
14. Los cambios en el pulverizador o el uso no adecuado con su asignación pueden provocar envenenamiento de personas o animales, contaminar el medio ambiente, dañar el pulverizador o accidentes graves.
15. Después de terminar el trabajo, debe cambiarse de ropa (la ropa protectora debe limpiarse), lavarse las manos, la cara, la boca, la garganta y limpiarse la nariz.
16. Después de terminar el trabajo, enjuague el pulverizador con agua limpia.
17. El usuario es totalmente responsable de los daños causados por no cumplir con estas recomendaciones.
18. Siempre verifique el nivel de la batería antes de comenzar a trabajar.
19. Está prohibido apuntar la lanza del pulverizador y pulverizar el líquido en dirección a la cara.
20. El pulverizador mientras trabaja o mientras esté guardado debe estar lejos de personas no autorizadas, especialmente niños.
21. Cuando use otros agentes, asegúrese de que puedan usarse en el pulverizador y que no sean perjudiciales para él, las personas o para el medio ambiente.
22. ¡PRECAUCIÓN! El panel de control del pulverizador es a prueba de salpicaduras y tiene un mayor nivel de humedad, no es resistente a las inundaciones ni al contacto frecuente con el agua.

6. REPARACIONES Y SERVICIO DE GARANTÍA

1. El período de garantía es de 24 meses a partir de la fecha de compra. La garantía excluye: bomba con motor, panel de control con batería y cargador, cuyo período de garantía es de 12 meses. El depósito está cubierto con una garantía de 60 meses.
2. Las reclamaciones deben presentarse al vendedor del pulverizador.
3. ¡PRECAUCIÓN! Las reclamaciones de pulverizadores sucios y contaminados con químicos o pulverizadores con cualquier contenido no serán reparados. ¡Vacíe completamente, enjuague y limpie de antemano el pulverizador!
4. Las reclamaciones serán aceptadas después de mostrar la parte defectuosa o dar la descripción completa del fallo.
5. Las reparaciones en garantía deben realizarse utilizando siempre las piezas originales.
6. El número de reparaciones después de las cuales el vendedor no puede negarse a cambiar el pulverizador por uno nuevo (en caso de que todavía haya defectos) es 3.
7. Las operaciones relacionadas con la explotación del pulverizador y descritas en el manual no se tratan como reparaciones de garantía.
8. El fabricante no aceptará la reclamación si hay cambios en la regulación de presión o si el almacenamiento o el mantenimiento del producto no se han realizado de acuerdo con el manual.
9. Los daños mecánicos causados por el usuario no pueden ser objeto de reclamación. Las partes dañadas se pueden cambiar, pero los costos se cobran.
10. La garantía no cubre los daños resultantes del uso de un cargador inadecuado.

7. ALMACENAMIENTO Y MANTENIMIENTO DEL PULVERIZADOR

1. No guarde el pulverizador a la luz del sol ni a temperaturas inferiores a 4 °C.
2. Después de terminar el trabajo, lave completamente el pulverizador con agua limpia y sople aire a través de él. Realizar el mantenimiento periódicamente. Después de lavar el pulverizador y soplar el aire a través de él, debe: desenroskar la manguera del mango, quitar el filtro Fig. 11b. y limpiarlo con agua y utilizado un cepillo suave. Desenrosque la tuerca de la válvula de dosificación en el mango, saque el pistón de la válvula con un resorte Fig. 11c., Límpielo y lubríquelo con grasa de silicona Fig. 2i., Vuelva a colocarlo y apriete la tuerca. Desenrosque la tuerca de la boquilla Fig. 10a. retire la boquilla y enjuáguela bien con agua, luego lubrique con grasa de silicona de la junto tórica Fig. 1d. Desbloquee y retire el filtro de la bomba Fig. 5a, b, c, d. y límpielo con agua y con un cepillo suave, luego inserte y bloquee la Fig. 5a. (puede salir una pequeña cantidad de líquido después de quitar el filtro). Desenrosque la tuerca del depósito Fig. 7., retire el embudo con el filtro Fig. 9. y enjuague con agua, luego vuelva a colocarlo en el depósito y atornille la tuerca. La Fig. 1. muestra el diagrama de los elementos que se deben mantener o que se desgastan y se deben reemplazar comprando un kit de reparación 208x Fig. 2.
3. El mantenimiento y las reparaciones solo deben realizarse con grasa de silicona. El uso de otros lubricantes dañará el pulverizador.

¡PRECAUCIÓN! Todas las operaciones de reparación, reemplazo o mantenimiento relacionadas con la unidad de la bomba, la batería y el panel de control solo se pueden llevar a cabo en servicios técnicos autorizados. Si intenta reparar, reemplazar o el mantenimiento de los elementos mencionados anteriormente, pierde la garantía.

8. OBSERVACIONES GENERALES.

En el mango de la lanza integrada con la válvula de dosificación se usa el filtro R40 que evitar la obstrucción de las boquillas.

9. SOLUCIÓN DE PROBLEMAS

Síntomas	Causa	Solución
El pulverizador no funciona.	La etiqueta de la lámina de seguridad cubre la batería. Botón de inicio no presionado. Panel de control colocado incorrectamente Fig. 4a.	Retire la etiqueta de aluminio de la parte inferior del cartucho Fig. 4b. Presione el botón ON/OFF Fig.6. Coloque el recambio correctamente. Fig. 4a.
	Batería descargada (descripción fig. 4 carga de la batería).	Conecte el panel de control para cargar la Fig. 4d.
A pesar de conectar el panel de carga, los LED del panel no se iluminan.	Cargador dañado.	Compra un nuevo cargador.
	Panel de control dañado.	Póngase en contacto con el DISTRIBUIDOR
Sale aire de la boquilla o la pulverización se interrumpe a pesar de que la bomba está funcionando	En la bomba hay líquido mezclado con aire (muy poco líquido en el depósito o pulverizador inclinado).	Rellene el líquido en el depósito.
Fugas en el mango integrado con la válvula de dosificación Fig.11.	Tuerca desatornillada Fig. 11., lanza desenroscada o junta tórica dañada. Fig. 1d.	Apriete la tuerca o la lanza de la manguera, inserte o reemplace la junta tórica. Fig. 2d.
	Mango agrietado causado por agua congelada.	Reemplace el mango completo integrado con la válvula de dosificación.
Fuga de la válvula de dosificación cuando se presiona el botón Fig. 11a.	Juntas tóricas dañadas en el pistón de la válvula de dosificación Fig. 11c.	Reemplace el pistón completo. Fig. 2b. y aplicar silicona grasa Fig. 2i.
Fugas en las conexiones de la lanza.	Junta tórica perdida Fig. 1d., Tuerca de boquilla desenroscada Fig. 10a.	Instale la junta tórica Fig. 2d. o apriete la tuerca a la boquilla Fig. 10a.
	Sistema de telescopio de lanza sin sellar o incompleta Fig. 1c, g, h.	Apriete o repare el sistema del telescopio de lanza Fig. 2c, g, h, i.
El líquido fluye constantemente desde la boquilla.	Botón de la válvula dosificadora en posición de bloqueo Fig. 11a.	Desbloquee el botón Fig. 11a
	Juntas tóricas de pistón dañados o descoloridos en la válvula de dosificación Rys. 11c.	Lubrique con grasa de silicona Fig. 2i. Juntas tóricas del pistón de la válvula de dosificación Fig. 11.c., si es necesario, reemplace el pistón por uno nuevo Fig. 2b. y lubricar con grasa de silicona Fig. 2i.
	Filtro obstruido en el mango Fig. 11b. o filtro de bomba Fig.1f.	Desenrosque la manguera, retire el filtro Fig. 11b. des del mango, límpielo o reemplácelo por uno nuevo. Fig. 2a. Limpie el filtro de la bomba Fig. 1f. o reemplazarlo por uno nuevo Fig. 2f.
Mala pulverización de líquido o falta de ella a pesar del funcionamiento de la bomba.	Tapa de boquilla sucia o obstruida por la punta del extremo de la lanza Fig. 10a.	Desenrosque la tapa de la boquilla Fig. 10a. luego desenrosque la tuerca de la boquilla Fig. 10b., desmonte y limpie la tapa de la boquilla y la obstrucción con agua corriente. PRECAUCIÓN ¡NO USE HERRAMIENTAS AFILADAS! para no dañar la boquilla, lubrique la junta tórica en el núcleo Fig. 1d. y montar de nuevo.
No hay presión	Bomba sucia	Póngase en contacto con el servicio técnico autorizado.
El líquido se escapa del pulverizador.	Falta el filtro de la bomba o está mal instalado Fig. 1f.	Inserte el filtro Fig. 5a. correctamente

Para otros problemas que impiden el funcionamiento correcto del dispositivo, comuníquese con el DISTRIBUIDOR

DE BETRIEBSANLEITUNG

SANIX PRO 22 Akku-Sprühgerät

1. VERWENDUNG UND BESTIMMUNG

Das Akku-Sprühgerät ist für die Schutz- und Pflegebehandlungen unter Einsatz von wässrigen künstlichen Düngemitteln, Insektiziden, Fungiziden, Unkrautvernichtungsmitteln konzipiert. Das Produkt ist auch für die Applikation von ökologischen Zubereitungen auf Basis von Paraffinöl und Pflanzenprodukten geeignet. Es ist ratsam, ein Sprühgerät für die jeweilige Produktgruppe einzusetzen.

ACHTUNG!!! Die Verwendung von chemisch aktiven Substanzen, darunter Säuren und Basen, Desinfektions- und Imprägniermitteln, lösemittelhaltigen Produkten, Reinigungsmitteln sowie Erdölderivaten ist unzulässig.

Im Zweifelsfall wenden Sie sich bitte an unseren Service per E-Mail: kontrola@marolex.pl Die Nichtbeachtung dieser Anweisungen kann zum Verlust der Garantie, zu Schäden am Spritzgerät oder zu dauerhaften Gesundheitsschäden führen.

2. AUSSTATTUNG DES FX SPRÜHGERÄTES

In der **Abb. 3** ist ein in der Verpackung befindliches Set dargestellt: **a.** komplettes Sprühgerät mit Riemen, Schlauch mit Federn und Dosierventil mit Griff, **b.** Akkueinheit 3,4 Ah mit Steuerpult, **c.** Netzteil 12,6 V; zum Laden der Akkueinheit, **d.** Teleskoplanze mit regulierbarer MR-Düse 1,5 mm, **e.** Trichter mit Sieb, **f.** Zusatzteile und Dichtungen sowie Silikonschmiermittel, **g.** Betriebsanleitung mit Garantieschein, EU-KONFORMITÄSERKLÄRUNG. Der Firma Marolex Sp. z o. o. bleibt das Recht vorbehalten, die Ausstattung des Sprühgerätes zu ändern.

3. VORBEREITUNG UND BETRIEB DES SPRÜHGERÄTE

1. Vor Erstgebrauch des Sprühgerätes lesen sie diese Betriebsanleitung genau durch.
2. Vor Beginn der Arbeiten bereiten Sie das Sprühgerät vor und prüfen Sie es auf Dichtheit und Funktionstüchtigkeit, indem Sie reines Wasser verwenden. Hierzu schrauben Sie la Lanze mit dem mit Dosierventil **Abb. 1** integrierten Griff zusammen, nehmen Sie die Akkueinheit mit Steuerpult **Abb. 4b** heraus, entfernen Sie die Schutzfolie **Abb. 4b** sowie legen Sie die Akkueinheit so ein, dass ein Klickgeräusch hörbar ist **Abb. 4a**, anschließend prüfen Sie den Ladestand des Akkus durch Drücken der Taste TEST **Abb. 6a**. Die Dioden leuchten am Steuerpult und zeigen den Ladezustand an. Vor Wasserzugabe prüfen sie, ob das Pumpenfilter **Abb. 1f.** richtig montiert und arretiert ist **Abb. 5a** Schrauben Sie die Kappe des Behälters **Abb. 7** ab und befüllen Sie den Behälter mit reinem Wasser, danach schrauben Sie die Kappe wieder an. Drücken Sie die Taste ON/OFF an der Steuereinheit **Abb. 6a**, die Dioden beginnen zu blinken **Abb. 6a, b, c**, drücken Sie die Taste des Dosierventils **Abb. 11a**, aus der Düse sollen zuerst die Luft und danach das Wasser austreten.

3. Um die Arbeit mittels Sprühgerät zu beginnen, muss das Wasser aus dem Behälter entfernt werden, danach geben Sie die nach Vorgaben des Stoffherstellers zubereitete Lösung zuzugeben, ohne den an der Teilung **Abb. 7** angegebene Füllstand zu überschreiten, anschließend schrauben Sie die Kappe des Behälters an **Abb. 7**. Drücken Sie die Taste ON/OFF am Steuerpult **Abb. 6a**, danach richten Sie die Lanze auf die Stelle, wo die Bespritzung zu erfolgen hat und drücken Sie die Taste des Dosierventils **Abb. 11a** und beginnen Sie somit die Behandlung. Der Dauerbetrieb des Sprühgerätes ist nach dem Drücken der Taste des Dosierventils und deren Schieben nach vorne möglich **Abb. 11a**. Nach der Beendigung der Arbeit lassen Sie die Blockade des Dosierventils los, indem Sie die Taste nach hinten schieben **Abb. 11a** sowie die Steuereinheit mittels Taste ON/OFF ausschalten **Abb. 6a**.

4. Austausch von Düsen:

– Die Kappe der runden Düse 1,5 mm (gelb) durch 1,0 mm (grün) ersetzen. Hierzu schrauben Sie die gelbe Kappe der Düse ab und schrauben Sie die grüne Kappe der Düse an **Abb. 10a**.

– Die runde Düse durch eine Flachstrahldüse ersetzen. Hierzu schrauben Sie die Kappe der Düse ab **Abb. 10a**, danach schrauben sie die schwarze Kappe ab und nehmen Sie den Kern sowie den O-Ring heraus **Abb. 10b** und legen Sie die Flachstrahldüse in die schwarze Kappe ein **Abb. 10c**, anschließend stecken Sie den O-Ring und schrauben Sie alles wieder an.

5. Die Akkueinheit 3,4 Ah mit Steuerpult ist als austauschbares Element im Sortiment erhältlich.

ACHTUNG!!! Filter entfernen Abb. 1f Flüssigkeit fließt aus dem Tank.

4. AKKU LADEN

Um den Akku zu laden, ist das mitgelieferte Netzteil an die Ladebuchse der Steuereinheit **Abb. 4c** anzuschließen, dann ist das Netzteil ans Netz 230V 50 Hz anzuschließen. Die am Sprühgerät befindliche Steuereinheit kann auch selbstständig außerhalb des Sprühgerätes geladen werden. Nach dem Anschluss des Netzteiles beginnen die Dioden zu blinken, der Ladezyklus ist im Gange **Abb. 6**. Der Akku ist vollgeladen, wenn alle Dioden an der Ladestandsanzeige leuchten. Ist der Ladestand des Akkus gering und leuchtet nur die rote Diode an der Anzeige, muss der Akku des Sprühgerätes vor Beginn der Arbeiten geladen werden. Der Ladevorgang ist erst dann zu beenden, wenn der Akku vollgeladen ist. Das Sprühgerät muss mit dem geladenen Akku zusammen gelagert werden, was regelmäßig durch Drücken der Taste TEST **Abb. 6a** zu prüfen ist. Eine lange Lagerung des Sprühgerätes mit dem leeren Akku kann zu dessen Beschädigung führen.

ACHTUNG! Das Steuerpult kann nur mittels mitgelieferten Netzteil 12,6 V; 3A geladen werden. Bei Verwendung eines Netzteiles mit anderen Parametern kann das Steuerpult dauerhaft beschädigt werden bzw. wird der Akku nicht geladen.

Das Sprühgerät, das schon einmal für den Schutz von Pflanzen eingesetzt wurde, darf für andere Zwecke nicht verwendet werden!!!

5. BETRIEBSSICHERHEITSHINWEISE

- Das Sprühgerät darf nicht von Kindern, schwangeren Frauen, kranken unter Einfluss der Medikamente stehenden Personen, betrunkenen Personen sowie Personen mit Konzentrationsstörungen nicht betrieben werden.
- Bei der Erstinbetriebnahme ist das Sprühgerät auf Dichtheit und Funktionstüchtigkeit zu prüfen, indem reines Wasser verwendet wird.
- Beim Umgang mit chemischen Stoffen (auch während der Herstellung von Zubereitungen und Vernichtung der Verpackungen) verwenden Sie eine Spezial-Schutzkleidung: Gummistiefel, Schutzhandschuhe, Schutzmantel, Mütze, Schutzbrille, Gesichtsmaske bzw. Halbmaste.**
- Beim Umgang mit chemischen Stoffen darf man nicht mit nüchternem Magen arbeiten, bei der Arbeit darf man nicht essen, trinken und rauchen. Am Vortag und nach der Beendigung der Arbeit darf man keinen Alkohol trinken.
- Die Flüssigkeitsreste dürfen nicht in offene Gewässer, Kanalisation bzw. biologische Kläranlagen gelangen. Dies betrifft auch die Flüssigkeit, die für die Ausspülung des Behälters und sonstiger Baugruppen des Sprühgerätes verwendet wurde.
- Das alte Sprühgerät ist dem lokalen Entsorgungsunternehmen zuzuführen, das sich mit der Entsorgung von chemischen Abfällen beschäftigt.
- Die alte Akkueinheit ist mit Steuerpult einer Stelle zuzuführen, die die alten elektrischen und elektronischen Geräte sowie Batterien sammelt.
- Der Bediener des Sprühgerätes hat unbedingt die in den Verpackungen von chemischen Stoffen enthaltenen Hinweise zu beachten. Bei Vergiftung suchen Sie einen Arzt auf.
- Das defekte bzw. undichte Sprühgerät darf nicht betrieben werden. Das Sprühgerät ist vor Stößen zu schützen.
- Alle Wartungsarbeiten sind erst nach der Druckentlastung des Sprühgerätes durchzuführen.
- Nach jedem Gebrauch und vor Beginn der Wartungsarbeiten muss das Sprühgerät gründlich gereinigt werden.
- Das Sprühgerät darf nicht für andere Zwecke als in der Betriebsanleitung beschrieben verwendet werden.
- Das mit der Flüssigkeit befüllte und unter Druck stehende Sprühgerät darf nicht gelagert werden.
- Die Flüssigkeiten mit einer Temperatur von mehr als 40°C sowie die explosiven, leicht entzündlichen, toxischen und oxidierenden Mittel dürfen nicht verwendet werden.
- Jegliche eigenmächtigen Umbauten am Sprühgerät sowie die unsachgemäße Verwendung sind untersagt. Dies kann zur Vergiftung von Menschen und Tieren, zur Umweltverschmutzung und Beschädigung der Maschine sowie zu gefährlichen Unfällen führen.
- Nach der Beendigung der Arbeit ziehen Sie die Schutzkleidung aus (die Schutzkleidung reinigen), waschen Sie die Hände, das Gesicht, spülen Sie den Mund und die Hals aus, reinigen Sie die Nase.
- Nach Gebrauch spülen Sie das Sprühgerät mehrmals mit Wasser.
- Für alle Schäden, die auf die Nichtbeachtung der in dieser Betriebsanleitung enthaltenen Hinweise zurückzuführen sind, haftet ausschließlich der Benutzer.
- Vor Beginn der Arbeit muss immer der Ladestand des Akkus geprüft werden.
- Die Lanze darf nicht auf das Sprühgerät gerichtet werden, wobei die Flüssigkeit nicht in die Gesichtsrichtung besprüht werden darf.
- Bei der Verwendung und Lagerung ist das Sprühgerät vor dem Zugang von unbefugten Personen, insbesondere Kindern, zu schützen.
- Bei Verwendung anderer Produkte prüfen Sie, ob diese mit dem Sprühgerät eingesetzt werden dürfen sowie ob sie für das Sprühgerät, die Menschen sowie die Umwelt nicht schädlich sind.
- ACHTUNG! Die Steuereinheit des Sprühgerätes ist beständig gegen Spritzer sowie Feuchtigkeit, ist unbeständig gegen Überflutung und häufigen Kontakt mit Wasser.**

6. GARANTIEBEDINGUNGEN UND REPARATUREN IM RAHMEN DER GEWÄHRLEISTUNG

- Die Garantiezeit beträgt 24 Monate ab Kaufdatum. Von der Garantie ausgeschlossen sind: Pumpe mit Motor, Steuereinheit mit Akku sowie Netzteil, für die wir 12 Monate Garantie gewähren. Für Behälter wird eine Garantie von 60 Monaten gewährt.
- Ein beschädigtes Teil bzw. Sprühgerät ist einem Händler zu liefern bzw. an die Firma Marolex zurückzuschicken.
- ACHTUNG! Die schmutzigen und durch chemische Stoffe verschmutzten Sprühgeräte, die im Rahmen der Reklamation zurückgeschickt werden, bzw. die Sprühgeräte mit Inhalt, werden nicht repariert. Sie sind vorher genau zu entleeren, auszuspülen und zu reinigen!**
- Die Reparaturen werden gegen Vorlage des gültigen Garantiescheines bzw. Kaufbeleges durchgeführt. Der Garantiegeber gewährleistet die gute Qualität und die Funktionstüchtigkeit des Produktes bei sachgemäßer Verwendung unter Betriebsbedingungen gemäß der Betriebsanleitung.
- Die selbst durchgeführten Reparaturen sollen nur unter Verwendung von Originalteilen der Fa. Marolex durchgeführt werden.
- Wird ein Fehler während der Garantiezeit festgestellt, ist der Garantiegeber verpflichtet, den Fehler innerhalb von 14 Arbeitstagen unentgeltlich zu beheben.
- Die maximale Reparaturzahl, nach der die beschädigte Ware durch eine neue vom Verkäufer ersetzt werden muss (falls sie immer fehlerhaft ist) beträgt 3.
- Als Reparatur im Rahmen der Gewährleistung gelten keine in dieser Betriebsanleitung aufgeführten Tätigkeiten, die zum normalen Betrieb gehören.
- Der Hersteller verweigert die Garantiehaftung, wenn die Änderungen der Druckeinstellungen vorgenommen wurden sowie wenn das Sprühgerät unsachgemäß gelagert bzw. betrieben wurde.
- Für mechanische Schäden, die vom Benutzer zu vertreten sind, haftet der Hersteller nicht. Die beschädigten Teile können vom Hersteller entgeltlich ausgetauscht werden.
- Mit den im Rahmen der Gewährleistung durchzuführenden Reparaturen sind die autorisierten Servicetechniker bzw. die Firma Marolex zu beauftragen.
- Die für die verkaufte Konsumware gewährte Garantie bedeutet weder Ausschluss, noch Beschränkung noch Aussetzung der Rechte des Käufers, die sich aus der Nichtübereinstimmung der Ware mit dem Vertrag ergeben.
- Die Garantie umfasst keine Schäden, die auf die Verwendung eines ungeeigneten Netzteils zurückzuführen sind.**

7. LAGERUNG UND WARTUNG DES FX SPRÜHGERÄTES

- Das Sprühgerät ist vor direkter Sonneneinstrahlung zu schützen und bei einer Temperatur von mehr als +4°C zu lagern.
- Nach der Beendigung der Arbeit spülen Sie das Sprühgerät gründlich, indem Sie es mehrmals mit reinem Wasser ausspülen und mit Luft durchblasen. Die Wartungsarbeiten müssen regelmäßig durchgeführt werden.** Nach dem Spülen und Durchblasen der Anlage mit Luft schrauben Sie den Schlauch am Griff ab, nehmen Sie das Filter heraus **Abb. 11b** und reinigen Sie es unter laufendem Wasser mittels weicher Bürste. Schrauben Sie die Kappe des Dosierventils ab, nehmen Sie den Kolben des Ventils mit Feder heraus **Abb. 11c**, reinigen und schmieren Sie mit Silikonschmiermittel **Abb. 2i** und montieren Sie es wieder im Ventil, anschließend schrauben Sie die Kappe an. Schrauben Sie die Kappe der Düse **Abb. 10a** ab, nehmen Sie die Düse heraus und spülen Sie sie gründlich

mit Wasser ab, anschließend schmieren Sie den O-Ring mit Silikonschmiermittel **Abb. 1d**. Entsperren Sie und nehmen Sie das Pumpenfilter heraus **Abb. 5a, b, c, d** und reinigen Sie es unter fließendem Wasser mittels weicher Bürste, danach legen Sie es wieder ein und arretieren Sie es **Abb. 5a** (eine kleine Flüssigkeitsmenge kann nach dem Entfernen des Filters herausfließen). Schrauben Sie die Kappe des Behälters ab **Abb. 7**, nehmen Sie den Trichter mit Sieb heraus und spülen Sie mit Wasser aus **Abb. 9**, danach montieren Sie sie wieder im Behälter und schrauben Sie die Kappe wieder an. In der **Abb. 1** wurden die Elemente schematisch dargestellt, die gewartet werden müssen und dem Verschleiß unterliegen, deshalb müssen Sie mittels Reparaturset **A044.101 (Z08x) Abb. 2** ausgetauscht werden. Die Schulungsfilme können Sie auf unserer Internetseite www.marolex.pl

3. Für die Wartungs- und Reparaturarbeiten darf nur das Silikonschmiermittel verwendet werden. Die Verwendung anderer Schmiermittel kann zur Beschädigung des Sprühgerätes führen. **Achtung! Alle Reparaturen, Wartungsarbeiten sowie Austausch der Pumpeneinheit, des Akkus, der Steuereinheit dürfen nur am Sitz der Firma Marolex bzw. von den autorisierten Servicetechnikern durchgeführt werden. Bei eigenmächtigen Reparaturen, Wartungsarbeiten bzw. Austausch der oben genannten Elementen erlischt die Garantie.**

8. ALLGEMEINES

Am Griff der mit dem Dosierventil integrierten Lanze wurde ein Filter R40 eingesetzt, das vor der Verstopfung der Düsen schützt. Alle Lanzen der Fa. Marolex sind gegenseitig austauschbar (das gleiche Gewinde am Dosierventil). Die zusätzlichen Verlängerungskabel der Fa. Marolex können verwendet werden, die in Längen 60 und 100 cm verfügbar sind. Für die Sprühgeräte der Fa. Marolex sind die Kegel-, Deflektor-, Flachstrahldüsen sowie die Düsen mit Bespritzungswinkelregelung geeignet. Die Bauweise aller Typen der Lanzen der Fa. Marolex erlaubt ebenso den Einsatz von Düsen auch anderer weltbekannter Hersteller.

9. FEHLERBEHEBUNG

Symptome	Ursache	Abhilfe
Das Sprühgerät funktioniert nicht.	Die Schutzfolie wurde nicht entfernt Abb. 4b . Die Steuereinheit ist nicht eingeschaltel. Die Steuereinheit ist falsch montiert Abb. 4a .	Die Schutzfolie entfernen Abb. 4b . Die Steuereinheit durch Drücken der Taste ON/OFF einschalten Abb. 6 . Die Steuereinheit richtig montieren Abb. 4a .
Trotz des Anschlusses der Steuereinheit leuchten die Dioden am Pult nicht.	Entladener Akku (Beschreibung Pkt. 4 Akku laden).	Die Steuereinheit zum Laden anschließen Abb. 4d .
	Netzteil defekt.	Ein neues Netzteil kaufen.
	Steuereinheit defekt.	Kontaktieren Sie einen Servicetechniker der Fa. MAROLEX. servis@marolex.pl
Aus der Düse entweicht die Luft bzw. wird die Bespritzung trotz des Pumpenbetriebes unterbrochen.	In der Pumpe ist die mit der Flüssigkeit gemischte Luft vorhanden (zu wenig Flüssigkeit bzw. geeignetes Sprühgerät).	Die Flüssigkeit im Behälter nachfüllen.
Leckage aus dem Griff der mit dem Dosierventil integrierten Lanze Abb. 11 .	Unzureichend angeschraubte Kappe des Schlauches Abb. 11 bzw. Lanze bzw. beschädigter O-Ring Abb. 1d .	Die Kappe des Schlauches bzw. der Lanze anschrauben, einen O-Ring montieren bzw. erneuern Abb. 2d .
	Der Bruch des mit dem Dosierventil integrierten Griffes durch eingefrorenes Wasser.	Einen neuen kompletten mit dem Dosierventil integrierten Griff montieren.
Leckage aus dem Dosiergerät beim Drücken der Taste des Dosiergerätes Abb. 11a .	Beschädigte O-Ringe des Kolbens am Dosierventil Abb. 11c .	Den Kolben kpl. austauschen. Abb. 2b und mit Silikonschmiermittel schmieren Abb. 2i .
Undichtigkeit an den Verbindungen der Lanze.	Verlorener O-Ring Abb. 1d , lose Kappe für Düse Abb. 10a .	Einen neuen O-Ring montieren Abb. 2d bzw. die Kappe an der Düse anschrauben Abb. 10a .
	Undichtes bzw. unvollständiges Teleskopsystem der Lanze Abb. 1c, g, h .	Anschrauben bzw. das Teleskopsystem der Lanze reparieren Abb. 2c, g, h, i .
Die Flüssigkeit tritt ununterbrochen aus den Düsen heraus.	Taste des Dosiergerätes gesperrt Abb. 11a .	Die Taste entsperren Abb. 11a .
	Beschädigte bzw. heißgelaufene O-Ringe des Kolbens am Dosierventil Abb. 11c .	Die O-Ringe des Kolbens am Dosierventil Abb. 11c mit Silikonschmiermittel Abb. 2i schmieren, bei Bedarf den Kolben durch einen neuen ersetzen Abb. 2b und mit Silikonschmiermittel schmieren Abb. 2i .
	Verschmutztes Filter im Griff Abb. 11b bzw. Pumpenfilter Abb. 1f .	Den Schlauch abschrauben, das Filter aus dem Griff herausnehmen Abb. 11b , reinigen bzw. durch ein neues ersetzen Abb. 2a . Das Pumpenfilter reinigen Abb. 1f bzw. durch ein neues ersetzen Abb. 2f .
Schwache Bespritzung bzw. fehlende Bespritzung trotz des Pumpenbetriebes.	Verschmutzte Düse bzw. verschmutzter Kern am Lanzenende Abb. 10a .	Schrauben sie die Kappe der Düse ab Abb. 10a und danach schrauben Sie die Kappe für die Düse ab Abb. 10b , demontieren Sie sie und reinigen Sie die Kappe sowie den Kern unter laufendem Wasser. ACHTUNG: KEINE SCHARFEN WERKZEUGE VERWENDEN! Um die Düse nicht zu beschädigen, schmieren Sie die O-Ringe am Kern Abb. 1d und schrauben Sie diese wieder zusammen.
Keine Druckzufuhr ist möglich.	Verschmutzte Druckpumpe.	Kontaktieren Sie einen Servicetechniker der Fa. MAROLEX. servis@marolex.pl
Die Flüssigkeit fließt aus dem Sprühgerät heraus.	Kein bzw. falsch montiertes Pumpenfilter Abb. 1f .	Montieren Sie das Filter richtig Abb. 5a .

Bei sonstigen Symptomen, die den Betrieb beeinträchtigen, kontaktieren Sie einen Servicetechniker der Fa. MAROLEX. Wir bieten Ihnen die technische Unterstützung sowie die Online-Hilfe an. **servis@marolex.pl**

FR INSTRUCTIONS D'UTILISATION

SANIX PRO 22 pulvérisateur à batterie

1. APPLICATION ET UTILISATION

Le pulvérisateur est conçu pour effectuer des traitements de protection et d’entretien avec des solutions aqueuses d’insecticides, de fongicides, d’herbicides et d’engrais. Il est également dédié à l'application de produits phytosanitaires écologiques à base d’huile de paraffine et de préparations végétales. Nous recommandons d'utiliser un pulvérisateur différent pour chaque groupe de produits sélectionné. **ATTENTION !!! Ne pas utiliser avec des agents chimiquement actifs, y compris les acides et les bases, les désinfectants, les agents d'imprégnation, les liquides contenant des solvants, les détergents agressifs et les dérivés du pétrole. Le non-respect de ces instructions peut entraîner des dommages au pulvérisateur et/ou des dommages permanents à la santé.**

2. ÉQUIPEMENT DU PULVÉRISATEUR

L'équipement contenu dans l'emballage est illustré dans la Fig. 1. **a**. Récipient avec soupape de sécurité, tuyau et lance avec vanne doseuse intégrée dans la poignée, **b**. Lance télescopique avec buse réglable MR 1,5 mm, **c**. Pompe, **d**. Guidon de transport avec fixations, **e**. Entonnoir avec filtre, **f**. Manuel d'utilisation avec certificat de garantie et DÉCLARATION DE CONFORMITÉ CE, **g**. Jeu de composants : graisse, joint torique, buse 1,0 mm, éléments pour le système APS.

Le fabricant se réserve le droit de modifier l'équipement du pulvérisateur.

3. PRÉPARATION ET FONCTIONNEMENT DU PULVÉRISATEUR

- Avant de commencer à travailler avec le pulvérisateur, lire ces instructions d'utilisation.
- Avant de commencer le travail, monter le pulvérisateur : visser la lance avec la poignée **Fig. 2b**, positionner le guidon de transport **Fig. 2c**, en l'ajustant en fonction de la taille de l'utilisateur et en serrant les bagues. Préparer l'entonnoir **Fig. 1e** et la pompe **Fig. 1c**. Vérifier le fonctionnement et les éventuelles fuites de la soupape de sécurité et du pulvérisateur avec de l'eau propre. Pour ce faire, verser de l'eau propre dans le récipient à l'aide de l'entonnoir **Fig. 2d**. Insérer la pompe dans le réservoir et serrer la bague **Fig. 3f**, puis pomper en utilisant la tige du piston **Fig. 3b**. Tirer la poignée de la soupape de sécurité **Fig. 3d**, la soupape doit émettre un son audible et clair à la sortie de l'air pressurisé, ce qui signifie que la soupape de sécurité fonctionne correctement.
- Pour commencer à travailler avec le pulvérisateur : décharger la pression du réservoir à l'aide de la soupape de sécurité **Fig. 3d**, dévisser la bague **Fig. 3f** et retirer la pompe, vider le réservoir de l'eau, puis verser, à l'aide de l'entonnoir **Fig. 2d**, la solution préparée à l'avance selon les recommandations du fabricant. Ne pas dépasser le niveau indiqué sur l'échelle du récipient **Fig. 3e**. Remettre la pompe en place, serrer la bague **Fig. 3f** et pressuriser le réservoir à l'aide du piston de la pompe **Fig. 3b**. Pomper jusqu'à ce que l'excès de gonflage soit atteint, la soupape de sécurité s'ouvrira automatiquement en libérant l'excès d'air **Fig. 3d**. Ajuster ensuite la lance télescopique à la longueur appropriée et serrer le manchon de verrouillage de manière à ce que la lance ne bouge pas pendant l'opération **Fig. 2a**. Le pulvérisateur peut être actionné en continu en appuyant sur le bouton de la vanne doseuse et en le faisant avancer **Fig. 5a**. Lorsque le travail est terminé, relâcher le verrouillage de la vanne doseuse en déplaçant le bouton vers l'arrière **Fig. 5a**. Remplacer à pulvériser. Si nécessaire, augmenter la pression en pompant **Fig. 3b**.
- Remplacement de la buse :
 - remplacement d'une buse à cône de 1,5 mm (jaune) par une buse de 1,0 mm (verte). Pour ce faire, dévisser le capuchon de la buse jaune et visser le capuchon de la buse verte **Fig. 4a**.
 - remplacement de la buse à cône par une buse à flux plat. Pour ce faire, dévisser le capuchon de la buse **Fig. 4a**, puis dévisser la bague noire, retirer la pièce et le joint torique **Fig. 4b**, insérer la buse à flux plat dans la bague noire **Fig. 4c**, puis insérer le joint torique et serrer.

ATTENTION ! Le pulvérisateur qui a été utilisé pour les produits phytosanitaires ne peut être utilisé à d'autres fins !!!

4. CONSIGNES DE SÉCURITÉ POUR L'EXPLOITATION

- L'utilisation du pulvérisateur est interdite aux enfants, aux femmes enceintes, aux personnes qui prennent des médicaments ou d'autres produits qui limitent leur pouvoir de concentration ou qui boivent de l'alcool.
- Lors de la première utilisation, vérifier l'étanchéité et le bon fonctionnement du pulvérisateur avec de l'eau propre.
- Si l'on opère avec des produits chimiques (y compris lors de la préparation de liquides et du déballage), il faut porter des vêtements de protection (bottes en caoutchouc, gants, combinaison, chapeau et masque).
- Il est interdit de travailler avec des produits chimiques l'estomac vide et de manger, boire ou fumer pendant le travail.
- Il est interdit de boire de l'alcool la veille et le lendemain du travail avec des produits chimiques.
- Il est interdit de verser des déchets liquides dans des réservoirs d'eau ouverts ou dans des stans d'épuration biologique des eaux usées. Ces notes s'appliquent également à l'eau utilisée pour nettoyer le réservoir et les autres parties du pulvérisateur.
- En cas de mise au rebut, le pulvérisateur doit être remis à une entreprise locale d'élimination des déchets chimiques.
- Les personnes travaillant avec le pulvérisateur doivent respecter strictement toutes les recommandations figurant sur l'emballage des produits pulvérisés. En cas d'empoisonnement, appeler un médecin.
- Il est interdit de travailler avec un pulvérisateur défectueux, avec une soupape de sécurité défaillante ou avec une fuite de quelque nature que ce soit. Lorsque le récipient est sous pression, il ne doit pas être heurté ou laissé tomber.
- Tous les travaux d'entretien doivent être effectués après avoir relâché la pression du pulvérisateur.
- Nettoyer soigneusement le pulvérisateur après chaque utilisation et avant l'entretien.
- Le pulvérisateur ne doit pas être utilisé à des fins autres que celles décrites dans les instructions d'utilisation.
- Il est interdit de stocker le pulvérisateur plein de liquide et sous pression.
- Le seul dispositif autorisé pour pressuriser le pulvérisateur est la pompe fournie, située à l'intérieur du réservoir - aucun autre dispositif ne peut être utilisé à cette fin !
- Il est interdit de pulvériser des liquides dont la température est supérieure à +40 °C ou facilement inflammables, des produits chimiques ou des substances susceptibles de provoquer une explosion, comme l'essence, les solvants, etc.
- Les modifications non autorisées et l'utilisation incorrecte du pulvérisateur sont interdites. Elles peuvent provoquer des empoisonnements chez les hommes ou les animaux, une pollution de l'environnement et des dommages à l'appareil, ainsi que des accidents dangereux.
- Après avoir terminé les travaux, il faut changer de vêtements (les vêtements de protection doivent être nettoyés), se laver les mains, le visage, la bouche et la gorge et s'essuyer le nez.
- Une fois le travail terminé, rincer le pulvérisateur plusieurs fois à l'eau propre.
- L'utilisateur est responsable des dommages causés par le non-respect de ces recommandations.
- Il est interdit d'altérer la soupape de sécurité ou d'apporter des modifications non autorisées au pulvérisateur, car cela pourrait causer des dommages permanents à la santé.
- Avant de commencer les travaux, il faut vérifier le bon fonctionnement de la soupape de sécurité. Pour ce faire, mettre le pulvérisateur sous pression et tirer la poignée de la soupape de sécurité **Fig. 3d**. Un bruit de décharge de pression doit être audible.
- Il est interdit de pointer la lance du pulvérisateur et de pulvériser le liquide en direction du visage.
- Les personnes non autorisées et en particulier les enfants ne doivent pas s'approcher du pulvérisateur pendant le travail et doivent être empêchés d'accéder à l'appareil pendant le stockage.
- Lors de l'utilisation d'autres produits, s'assurer qu'ils sont compatibles avec le pulvérisateur et qu'ils ne sont pas nocifs pour les personnes, l'environnement ou le pulvérisateur même.

5. RÉPARATIONS APRÈS-VENTE ET SOUS GARANTIE

- La période de garantie est de 24 mois à compter de la date d'achat.
- Les pulvérisateurs contenant des résidus chimiques ne seront pas réparés.
- Le retour de la machine sous garantie doit être effectué chez le vendeur du pulvérisateur.
- Les plaintes seront acceptées après avoir montré la pièce défectueuse ou après avoir fourni la description complète du défaut.
- Les réparations sous garantie doivent toujours être effectuées à l'aide de pièces de rechange d'origine.
- Le nombre maximum de réparations après lesquelles le bien endommagé doit être remplacé par un neuf (s'il y a encore des défauts) est de 3.
- Les réparations sous garantie n'incluent pas les pannes causées par une utilisation autre que les activités normales mentionnées dans ce manuel.
- Le fabricant décline toute responsabilité au titre de la garantie si des modifications ont été apportées aux réglages de la pression et si le pulvérisateur a été stocké ou utilisé de manière incorrecte.
- Les dommages mécaniques causés par l'utilisateur ne sont pas couverts par la garantie. Les pièces endommagées peuvent être remplacées, mais les coûts sont à la charge de l'utilisateur.

6. STOCKAGE ET ENTRETIEN DU PULVÉRISATEUR

- Ne pas stocker le pulvérisateur à la lumière directe du soleil ou à des températures inférieures à +4 °C.
- Une fois le travail terminé, laver soigneusement le pulvérisateur à l'eau propre et souffler de l'air à travers l'appareil. Effectuer l'entretien périodique.**
- Pour effectuer l'entretien, vérifier que le pulvérisateur n'est pas sous pression. Dans ce cas, relâcher la pression du réservoir en tirant la poignée de la soupape de sécurité **Fig. 3d**. Après avoir lavé le pulvérisateur et y avoir soufflé de l'air, il faut dévisser le tuyau de la poignée, retirer le filtre **Fig. 5b** et le nettoyer sous l'eau courante avec une brosse souple. Vérifier que le piston **Fig. 3b** fonctionne sans problème ; en cas de résistance, dévisser la bague et retirer la tige du piston **Fig. 3a**, graisser le joint torique avec du lubrifiant silicone **Fig. 6e** et la surface intérieure des parois du cylindre **Fig. 7j**, vérifier que le bouchon inférieur de la pompe est propre **Fig. 6g** et le rincer s'il est sale. Ensuite, réinsérer la tige du piston dans le cylindre et serrer la bague **Fig. 3a**. Dévisser le bouchon de la vanne doseuse, retirer le piston de la vanne avec le ressort **Fig. 5c**, nettoyer et graisser avec du lubrifiant silicone **Fig. 7j** et le remettre dans la vanne, puis revisser le bouchon. Dévisser l'écrou de la buse, retirer la buse et rincer abondamment à l'eau **Fig. 4a**. Vérifier ensuite le bon fonctionnement de la soupape de sécurité, après avoir tiré la poignée celle-ci doit revenir à sa position initiale. En cas de résistance, dévisser l'écrou de la soupape de sécurité et le retirer, le nettoyer, graisser le joint torique avec de la graisse silicone **Fig. 3c**. Remonter l'écrou de la soupape en le serrant à fond **Fig. 3d**.
- La **Fig. 6** illustre les éléments qui peuvent être remplacés par l'achat d'un kit de réparation Z08j dont les composants sont présentés sur la **Fig. 7**.
- L'entretien et les réparations doivent être effectués en utilisant uniquement du lubrifiant silicone. L'emploi d'autres lubrifiants pourrait endommager le pulvérisateur.**

7. DÉPANNAGE

SYMPTÔMES	CAUSES	SOLUTIONS
	bouton de la valve distributrice de pression déplacé en position verrouillée	déverrouiller le bouton de la valve distributrice de pression (en le faisant glisser vers l'arrière) Fig. 5a
Perte de pression lors du pompage, il n'est pas possible d'obtenir la bonne pression.	écrous du tuyau de distribution ou bague de la pompe desserrés	serrer les écrous qui relient le tuyau de distribution à la poignée et au réservoir <p>serrer l'écrou de la pompe sur le réservoir</p>
	Joint torique du piston endommagé Fig. 6e	remplacer le joint torique dans le piston Fig. 7e et le graisser avec du lubrifiant silicone Fig. 7j
	la vanne doseuse est endommagée par le liquide gelé	Remplacer par une nouvelle vanne doseuse complète (disponible à la vente en tant que pièce de rechange)
Fuite de liquide de la vanne doseuse intégrée dans la poignée	lance ou écrou de tuyau de distribution non serrés, joints toriques manquants ou endommagés Fig. 6d	Serrer l'écrou de la lance ou l'écrou de tuyau de distribution ; insérer ou remplacer les joints toriques Fig. 7d
Fuite de liquide de la vanne doseuse intégrée dans la poignée après l'appui sur le bouton	Joints toriques endommagés dans le piston de la vanne doseuse Fig. 6b	remplacer le piston avec le joint torique Fig. 7b , graisser avec du lubrifiant silicone Fig. 7j
Jet faible ou inexistant malgré le fait que le pulvérisateur soit sous pression jusqu'à l'ouverture de la soupape de sécurité	filtre à l'intérieur de la poignée de la vanne doseuse bouché	dévisser le tuyau de la poignée, retirer le filtre Fig. 5b et le nettoyer sous l'eau courante avec une brosse souple, le cas échéant le remplacer par un neuf Fig. 7a
	capuchon ou pièce de buse sale Fig. 4	dévisser le capuchon et la pièce et les rincer Fig. 4a
les éléments d'étanchéité ont perdu leurs propriétés (gonflement, écrasement, étirement, fissuration) Fig. 6	Le produit chimique utilisé n'était pas adapté à l'appareil utilisé	consulter le revendeur de référence pour choisir un appareil adapté
du liquide sort de la buse pendant le pompage	Joints toriques endommagés ou usés dans le piston de la vanne doseuse Fig. 6b	lubrifier les joints toriques du piston de la vanne doseuse <p>Si nécessaire, remplacer le piston par un neuf Fig. 7b et graisser avec du lubrifiant silicone Fig. 7j</p>
	le bouton de la vanne doseuse est déplacé vers l'avant en position « off » Fig. 5a	déverrouiller le bouton de la vanne doseuse (le déplacer vers l'arrière) Fig. 5a
Le piston de la pompe coulisse mal ou est bloqué	Joint torique du piston obstrué Fig. 6e	lubrifier le joint torique du piston. Si nécessaire, le remplacer par un neuf Fig. 7e et graisser avec du lubrifiant silicone Fig. 7j
après le pompage, la tige se soulève ou le liquide entre dans le cylindre de la pompe	bouchon en caoutchouc de la pompe sale ou usé Fig. 6g	rincer la saleté à l'eau claire, si nécessaire, remplacer le bouchon en caoutchouc de la pompe par un neuf Fig. 7g